

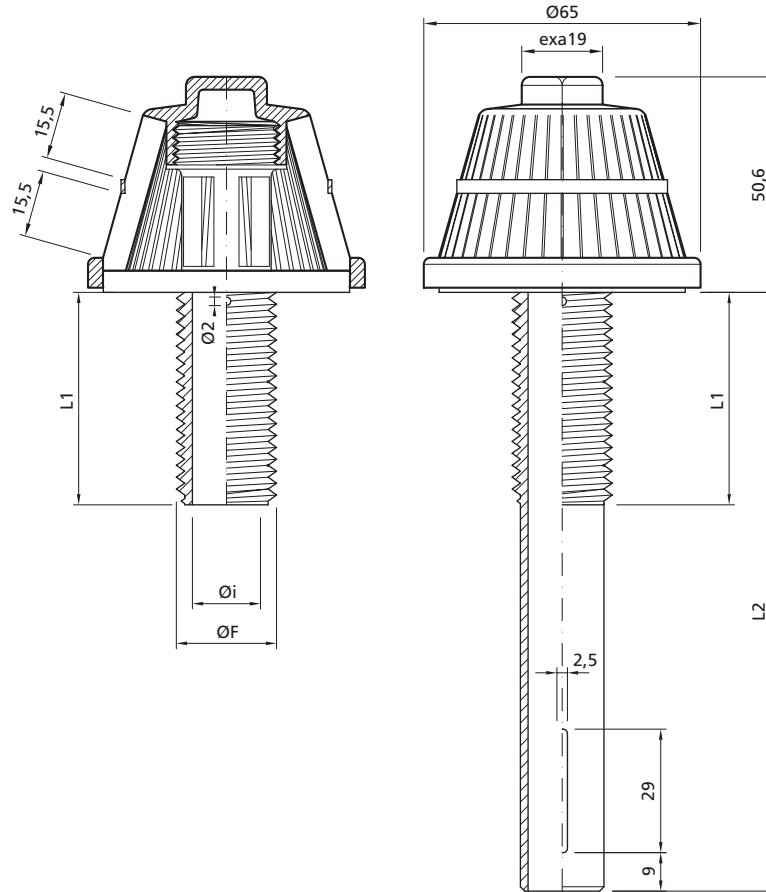
T

TOBERAS FILTRANTES CON RANURAS VERTICALES FILTER NOZZLES WITH VERTICAL SLOTS



- Para varios usos
- Amplia superficie filtrante
- Robusto y económico
- Gama completa de roscas y cañas

- Multipurpose
- Wide filtering area
- Strong and inexpensive
- Complete set of thread and stem



Tipo Type	Ranura Slot width mm	N. Ranuras Slots No.	Area Area mm ²
T	0,25	40	310
	0,5	40	620

Material/Material: PP - PPFV - PVDF

Rosca Thread	ØF mm	Øi mm	Area Stem area mm ²	L1 mm	L2 mm
3/4"G	26.4	16	200	20, 30, 50	50, 160, 200, 250, 280
M24	24	16	200	20, 30, 50	50, 80, 100, 120, 140
15/16"W	23.5	16	200	20, 30, 50, 120	50, 80, 100, 120, 140, 160, 200, 250, 280
1"W	25.4	16	200	20, 30, 50	50, 80, 100, 120, 140, 160, 200, 250, 280
1.1/4"W	31.75	21,5	363	30, 50, 65	50, 160, 200, 250, 280, 300, ..., 450

