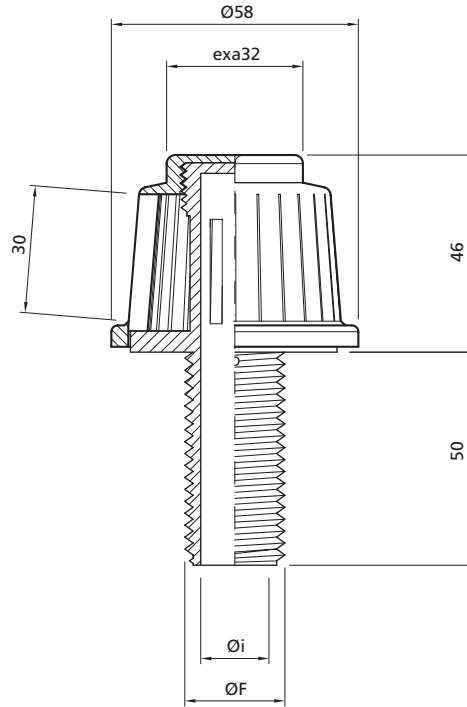


# P7

## TOBERAS FILTRANTES CON RANURAS VERTICALES FILTER NOZZLES WITH VERTICAL SLOTS



- Apropriado para intercambiadores iónicos
- De fácil limpieza
- Económico
- Good for ion exchange resins
- Easily cleaned
- Inexpensive

| Tipo<br>Type | Ranura<br>Slot width<br>mm | N. Ranuras<br>Slots No. | Area<br>Area<br>mm <sup>2</sup> |
|--------------|----------------------------|-------------------------|---------------------------------|
| <b>P7</b>    | 0,25                       | 30                      | 225                             |
|              | 0,5                        | 26                      | 390                             |

| Rosca<br>Thread | ØF<br>mm | Øi<br>mm | Area<br>Stem area<br>mm <sup>2</sup> | L1<br>mm   |
|-----------------|----------|----------|--------------------------------------|------------|
| 3/4"G           | 26.4     | 17       | 225                                  | 20, 30, 50 |
| 15/16"W         | 23.5     | 17       | 225                                  | 20, 30, 50 |

Material/Material: PP - PPFV - PVDF

